

VS330

Bathroom Occupancy Sensor Featuring LoRaWAN®



◆ Advanced Sensing, Simplified Management

VS330 is a LoRaWAN® bathroom occupancy sensor providing a cost-effective solution for monitoring the occupancy status of the bathrooms and the cubicles of a public toilet in different scenarios. VS330 has combined dual technologies, Time-of-Flight (ToF) technology and Passive Infrared (PIR) sensor to identify the human body and motions with a smart logic and an industry-leading accuracy exceeding 99.5%. VS330 could easily adjust to different scenarios with 100% anonymity and low power consumption. VS330 could be managed by integrated systems and it allows users to monitor the occupancy and trigger linkage to control other devices via a web browser or mobile App remotely. Damp-proof coating inside ensures it working well under various conditions.

◆ Features

- High detecting accuracy based on Time-of-Flight (ToF) technology and Passive Infrared (PIR) detection with maximal possibility and industry leading accuracy of over 99%
- 100% anonymity and GDPR-compliant to detect space occupancy and human detection
- Real-time update and ultra-low power consumption
- Effective in static or motional applications with low mistaken rate
- Effective in low-light or completely dark environments
- Damp-proof coating inside the device to ensure the device works well in various conditions of bathrooms and other scenarios
- Adjustable sensor angle enables multi-mounting methods for various applications
- Built-in NFC for easy configuration
- Compatible with standard LoRaWAN® gateways and network servers
- Quick and easy management with Milesight IoT Cloud solution

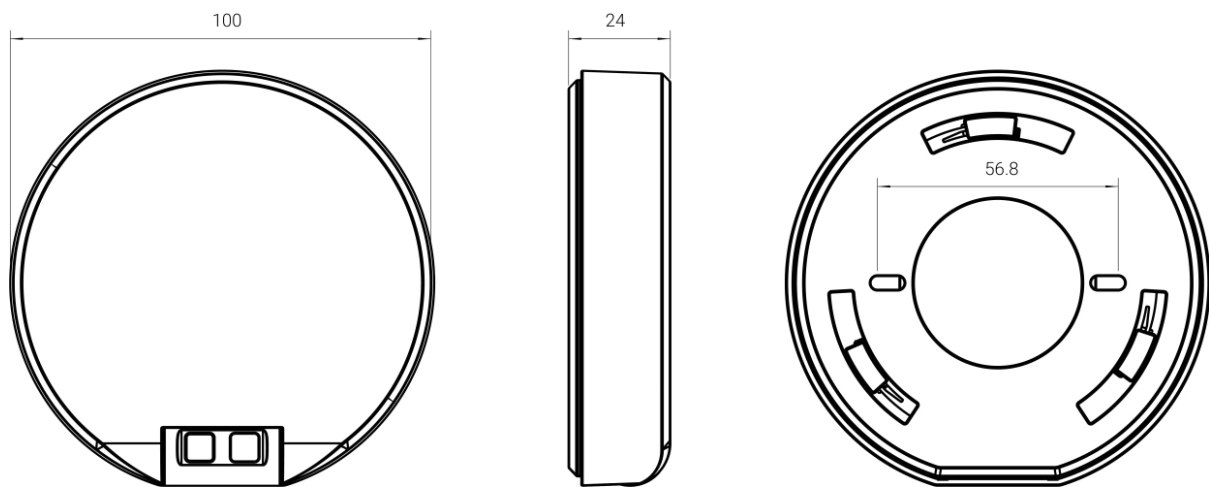
◆ Specifications

Wireless Transmission	
Protocol	LoRaWAN®
Frequency	CN470/IN865/RU864/EU868/US915/AU915/KR920/AS923-1&2&3&4
Tx Power	16 dBm (868 MHz)/19 dBm (470 MHz)/22 dBm (915 MHz)
Sensitivity	-137dBm
Mode	OTAA/ABP Class A
Sensors	
ToF	
ToF FoV	27°
Detection Range	0.040 ~ 3.500m
Accuracy	± 2cm
Resolution	1mm
PIR	
Detection Area	80°
Detection Distance	Maximum 2.5m
Others	
Sensor Adjustable Angle	0°, 15°, 30°, 45°, 60°, 75°
Others	
LED	1 × Status/Test Indicator
Button	1 × Power/Reset Button
Configuration	Mobile App via NFC
Physical Characteristics	
Power Supply	3 x 4000 mAh ER18505 Li-SOCl ₂ Replaceable Batteries
Battery Life*	Around 4 Years (90 users + within 7 consecutive hours per day)
Operating Temperature	-20°C ~ 60°C
Relative Humidity	0% - 95% (non-condensing)

Ingress Protection	IP30
Dimension	Φ 100 x 24 mm (Φ 3.94 x 0.95 in)
Material & Color	PC+ABS (Flame Retardant), White
Installation	Ceiling Mount or Wall Mount via Screws or 3M tapes

* Tested under laboratory conditions and for guideline purposes only.

◆ Dimensions(mm)



To alert the support team about any issues you are experiencing, please send an email to or create a ticket in our support platform. Please click here: technical@bmetersuk.com

The support team will get back to you as soon as possible.



technical@bmetersuk.com



www.bmetersuk.com



01157 722 506