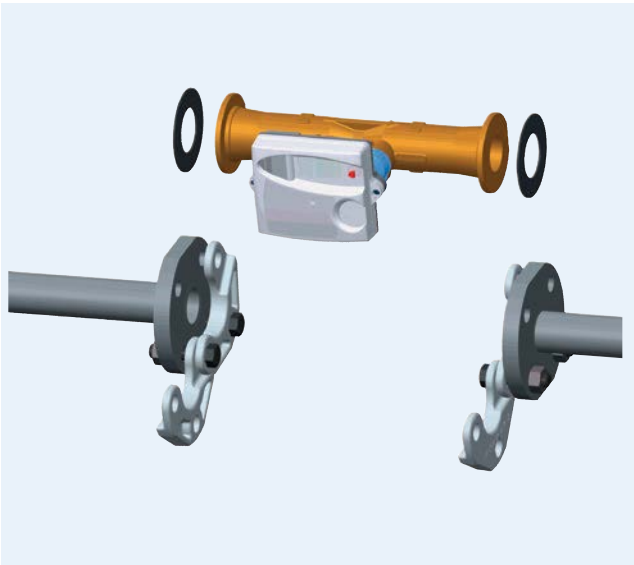


# CF / US Echo II

## Itron's innovative mobile flanges

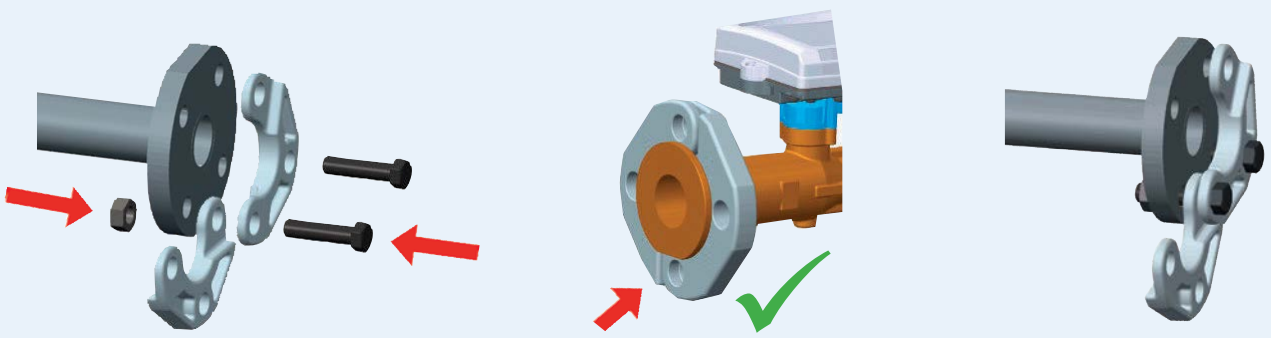
Now also available for heat meters

**NEW!**  
FROM Q4-2014



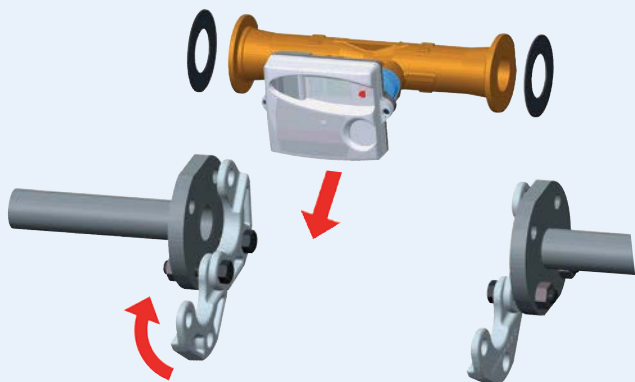
- » Installation in 3 steps
- » Fast, secure, simple
- » Moving flanges
- » All Flange meters DN25-50

### 1 IT'S SO SIMPLE



- » Hold the 2 flange segments together and place two bolts in the two lower holes, fix the nuts by hand.
- » The flat side of flange should show be oriented to the counter flange.
- » Leave the flanges open.

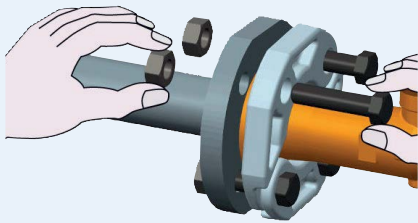
### 2



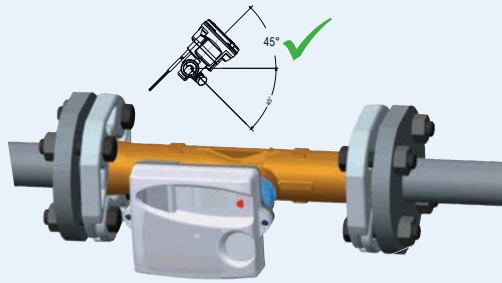
- » Place the meter into the open flanges.
- » Close the flanges.

**Attention:**  
Don't forget the gaskets!

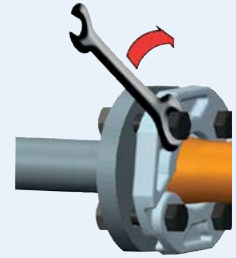
3



» Fix the remaining bolts.



» Align the flow meter in the correct position (electronics  $\pm 45^\circ$  from horizontal position).



» Fix the screws.  
» READY!

## THE NEW CF-/US-ECHO II IN NEW A CLEAR PACKAGING

» The clear packaging for CF-/ and US-Echo II gives you a quick overview and a simple assignment for the installation



**Itron**

Create a more resourceful world. Visit [itron.com](http://itron.com) to learn more.

**ALLMESS GMBH**

Am Voßberg 11  
23758 Oldenburg i.H.  
Deutschland

**Tel:** 0 43 61/62 5-0  
**Fax:** 0 43 61/62 5-250

[www.itron.com/de](http://www.itron.com/de)