



# MAG-C

Electromagnetic flowmeter for measuring the volume and the flow of electrically conductive liquids

The electro-magnetic flow meter mod. MAG-C has been engineered for measuring the flow and the volume of any liquid that is electrically conductor.

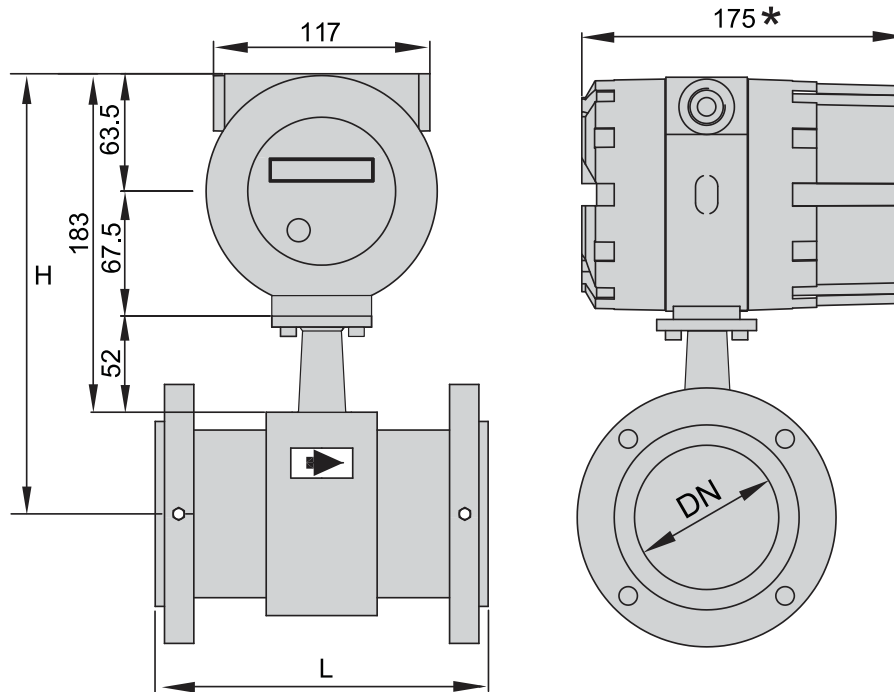
Those flow meters do not have any mechanical moving component, and therefore the liquid do not have any obstacle during its flowing, thus avoiding any potential damage caused by solids contained in the liquid. The internal part of the measuring pipe is electrically insulated and therefore the liquid to be measured does not have any possibility to be in contact with the material by which the pipe and the flanges are made of. This allows the possibility of measuring any type of liquid compatible with the internal cladding. The MAG-C meters enjoy a very low pressure of loss and the possibility of mounting in any position. They are suitable for every sector of the chemical, paper, food industries and water works.



## TECHNICAL FEATURES

<b>Available diameters</b>	DN15 – DN2000	<b>Flanges material</b>	Carbon steel
<b>Available pressure</b>	PN10, PN16, PN25, PN40	<b>Electrodes material</b>	HASTELLOY C
<b>Available flanges</b>	UNI EN 1092 ANSI150 ANSI300 DIN2501 BS45404 AWWA	<b>Quantity of electrodes</b>	3 (DN50), 4 (≥DN50)
<b>IP protection</b>	IP68	<b>Available power supply</b>	90 – 264 VAC or 24 VDC / Interchangeable battery life 3 – 6 years
<b>Max reading error</b>	±0,2%	<b>Display</b>	LCD graphic 128 x 64 pixels retrofit
<b>Max fluid speed</b>	10 m/s	<b>Out signals (electrical powered version)</b>	4-20mA, pulse, frequency, MODBUS RTU RS485, Hart protocol
<b>Electrical conductivity</b>	≥ 5 µS/cm (powered version) ≥ 20 µS/cm (battery version)	<b>Out signals (battery version)</b>	Pulse
<b>Available linings</b>	PTFE EBANITE	<b>External communication interface</b>	IrDA for PC connection, MODBUS on RS485, (GSM/GPRS)
<b>Max fluid temperature</b>	MAG-C -40°C /+80°C MAG-S PTFE -40°C /+130°C EBANITE -40°C/+80°C	<b>According to standards</b>	89/336/EEC EN61326-1:2006 2006/95/EC EN ISO 6817
<b>Pipe material</b>	Stainless steel AISI 304		

## DIMENSIONS



<b>DN</b>	<b>15</b>	<b>20</b>	<b>25</b>	<b>32</b>	<b>40</b>	<b>50</b>	<b>65</b>	<b>80</b>
<b>L</b>	200	200	200	200	200	200	200	200
<b>H</b>	223	223	215	221.5	224	232	240	246.5
<b>DN</b>	<b>100</b>	<b>125</b>	<b>150</b>	<b>200</b>	<b>250</b>	<b>300</b>	<b>350</b>	<b>400</b>
<b>L</b>	250	250	300	350	450	500	550	600
<b>H</b>	256	272	286	311.5	338.5	364	380	405

## FLOW RATE M<sup>3</sup>/H

DN (Inch)

	DN15	DN20	DN25	DN32	DN40	DN50	DN65	DN80
Velocity								
<b>0.05m/s</b>	0.0318	0.0570	0.0883	0.14	0.23	0.35	0.60	0.90
<b>0.5m/s</b>	0.318	0.564	0.883	1.45	2.26	3.53	5.97	9.05
<b>5m/s</b>	3.180	5.460	8.835	14.48	22.62	35.35	59.73	90.48
<b>10m/s</b>	6.360	11.340	17.671	28.95	45.24	70.69	119.46	180.96

DN (Inch)

	DN100	DN125	DN150	DN200	DN250	DN300	DN350	DN400
Velocity								
<b>0.05m/s</b>	1.41	2.21	3.18	5.65	8.84	12.72	17.32	22.62
<b>0.5m/s</b>	14.14	22.09	31.81	56.55	88.36	127.23	173.18	226.19
<b>5m/s</b>	141.37	220.89	318.09	565.49	883.57	1272.35	1731.80	2261.95
<b>10m/s</b>	282.74	441.79	636.17	1130.97	1767.15	2544.69	3463.61	4523.89

DN (Inch)

	DN450	DN500	DN600	DN700	DN800	DN900	DN1000	DN1200
Velocity								
<b>0.05m/s</b>	28.63	35.34	50.89	69.27	90.48	114.51	141.37	203.58
<b>0.5m/s</b>	286.28	353.43	508.94	692.72	904.72	1145.11	1413.72	2035.75
<b>5m/s</b>	2286.78	3534.29	5089.38	6927.21	9047.79	11451.11	14137.17	20357.52
<b>10m/s</b>	5725.55	7068.58	10178.76	13854.42	18095.57	22902.21	28274.33	40715.04

DN (Inch)

	DN1400	DN1600	DN1800	DN2000
Velocity				
<b>0.05m/s</b>	277.09	361.91	408.56	565.49
<b>0.5m/s</b>	2770.88	3619.11	4085.64	5654.87
<b>5m/s</b>	27708.85	36191.15	40856.41	5648.67
<b>10m/s</b>	55417.69	72382.29	81712.82	113097.34

# DESIGNING, PRODUCING AND DISTRIBUTING SOLUTIONS FOR OVER 25 YEARS

B METERS is an Italian company that has been designing, producing and distributing instruments and solutions for measuring the consumption of water and thermal energy used for heating and cooling, for over 25 years.

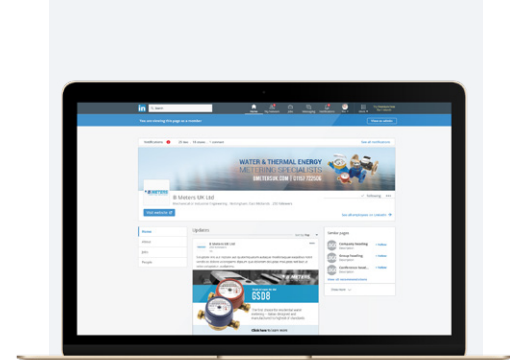
The yearly production currently exceeds 2M units, putting B METERS in a leading position both at national and European level.

The product range includes turbine (velocity) type single and multi-jet water meters with mechanical or magnetic transmission, Woltmann meters, irrigation meters, flow meters, thermal energy meters and heat cost allocators with direct reading, or complete with integrated modules for the remote transmission of the consumption data.



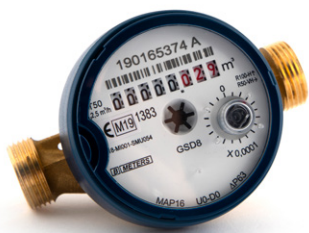
EN 1434

EN 834



**FOLLOW BMETERS ON LINKEDIN,  
KEEP UP-TO-DATE WITH ALL  
LATEST NEWS AND PRODUCT  
INFORMATION**

## THE BMETERS RANGE



**WATER METERS**



**THERMAL ENERGY METERS**



**READING SYSTEMS**



**M-BUS SOLUTIONS**