



HYDRODIGIT-S1

The digital single jet smart meter

The HYDRODIGIT-S1 is a single jet water meter with a digital display across 8 digits and inductive transmission.

Produced in versions for cold and hot water in diameters DN15 and DN20 mm (1/2" – 3/4"), this meter has a 360° rotating dial for ease of reading.

Wireless M-BUS or LoRa integrated transmission modules.



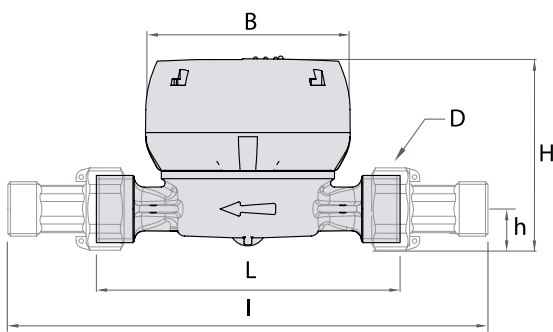
TECHNICAL FEATURES

	Size	DN	mm (in)	15 (1/2")	20 (3/4")
	Overload flow rate	Q ₄	m ³ /h	3.125	5
	Permanent flow rate	Q ₃	m ³ /h	2.5	4
R=160VH	Transitional flow rate	Q ₂	l/h	25	40
	Min flow rate	Q ₁	l/h	15.625	25
R=250H↑	Transitional flow rate	Q ₂	l/h	16	25.6
	Min flow rate	Q ₁	l/h	10	16
R=40H↑	Transitional flow rate	Q ₂	l/h	10	16
	Min flow rate	Q ₁	l/h	6.25	10
	Min reading		l	2	3
	Max reading		m ³	99,999	99,999
	Max admissible pressure MAP		bar	16	16

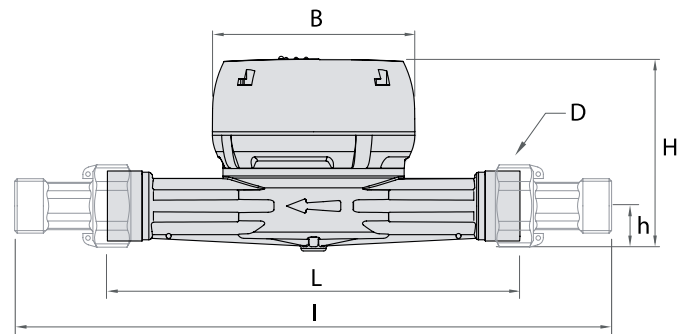
Available also Q₃ 1.6

- Available in R250-H and R160-V H versions
- For cold water 0.1 – 50°C
- For hot water 30 – 90°C
- Turbine reading through inductive system
- Direct reading on 8-digit LCD display
- IP68 Protection
- Battery life of 10 years (Max.)
- Historical consumption archive
- Alarms (Reverse flow, losses, etc.)
- 360° rotating digital dial
- Impossible to fraud magnetically
- Integrated communication modules WMBUS or LoRa
- Connectable to a PC via an IR IEC 62056-21 probe

DIMENSIONS & WEIGHTS



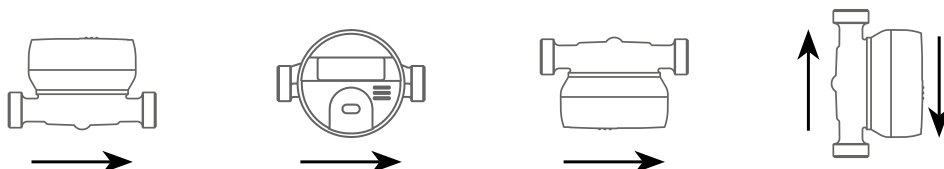
Brass body



Brass body

Size	DN (in)	15 (1/2")	15 (1/2")	20 (3/4")	15 (1/2")	15 (1/2")	20 (3/4")
L	mm	80	110	130	145	165	190
I	mm	160	190	228	225	245	288
H	mm	77	74	77	74	74	77
h	mm	13	14	17	14	14	17
B	mm	81	81	81	81	81	81
D*	in	3/4"	3/4"	1"	3/4"	3/4"	1"
Weight	with unions Kg	0.65	0.70	0.85	0.55	0.56	0.70
	without unions Kg	0.50	0.55	0.60	0.40	0.41	0.45

INSTALLATION POSITIONS



DESIGNING, PRODUCING AND DISTRIBUTING SOLUTIONS FOR OVER 25 YEARS

B METERS is an Italian company that has been designing, producing and distributing instruments and solutions for measuring the consumption of water and thermal energy used for heating and cooling, for over 25 years.

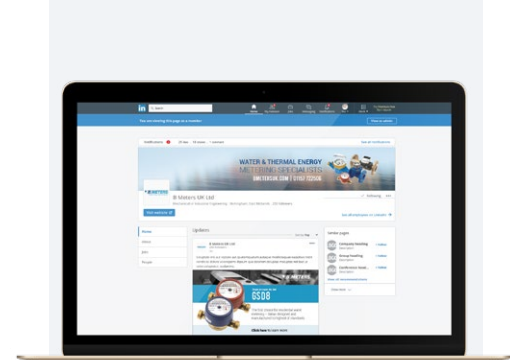
The yearly production currently exceeds 2M units, putting B METERS in a leading position both at national and European level.

The product range includes turbine (velocity) type single and multi-jet water meters with mechanical or magnetic transmission, Woltmann meters, irrigation meters, flow meters, thermal energy meters and heat cost allocators with direct reading, or complete with integrated modules for the remote transmission of the consumption data.



EN 1434

EN 834



**FOLLOW BMETERS ON LINKEDIN,
KEEP UP-TO-DATE WITH ALL
LATEST NEWS AND PRODUCT
INFORMATION**

THE BMETERS RANGE



WATER METERS



THERMAL ENERGY METERS



READING SYSTEMS



M-BUS SOLUTIONS