



# CPR-M3-1

Single jet wet dial

The CPR-M3 is a single jet meter, wet dial with anti-fraud ring and 360° rotating lid. Available in sizes DN15 1/2" and DN20 3/4" for both cold water up to 50°C and hot water up to 90°C, the CPR-M3 has a direct transmission which prevents the meter from being tampered by external magnetic fields.

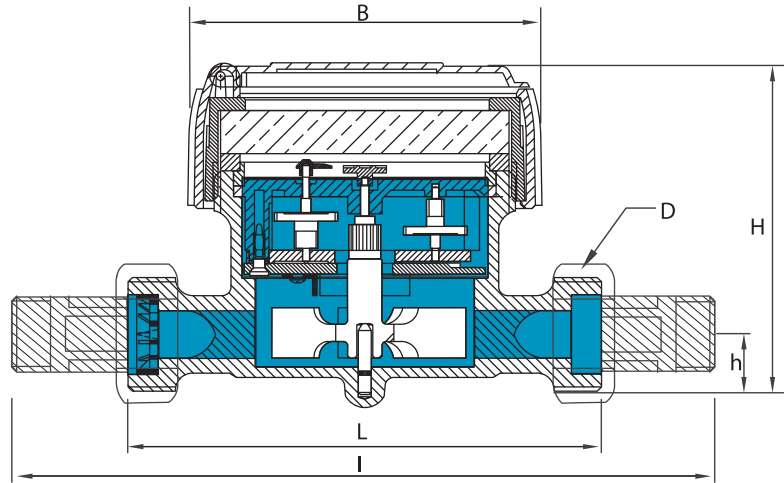
Approved according to MID 2004 /22/CE (up to the range R160-H/R100-V), ISO 4064 and OIML R49 compliant.



## TECHNICAL FEATURES

	Size	DN	mm (in)	15 (1/2")	20 (3/4")
	Overload flow rate	Q <sub>4</sub>	m <sup>3</sup> /h	3.12	5
	Permanent flow rate	Q <sub>3</sub>	m <sup>3</sup> /h	2.5	4
R=100VH	Transitional flow rate	Q <sub>2</sub>	l/h	40	64
	Minimum flow rate	Q <sub>1</sub>	l/h	25	40
R=160H	Transitional flow rate	Q <sub>2</sub>	l/h	25	40
	Minimum flow rate	Q <sub>1</sub>	l/h	15.63	25
	Minimum reading		l	0.05	0.05
	Maximum reading		m <sup>3</sup>	99,999	99,999
	Max admissible pressure MAP		bar	16	16

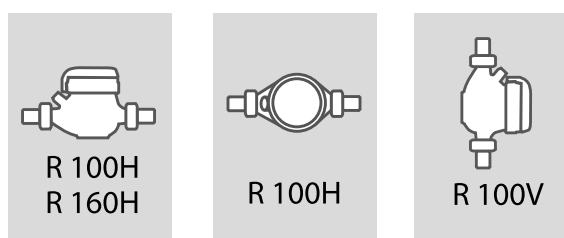
## DIMENSIONS & WEIGHTS



Size	mm (in)	15 (1/2")	20 (3/4")
L	mm	110	130
I	mm	190	228
H	mm	77	81
h	mm	13	17
B	mm	80	80
D*	in	3/4"	1"
Weight with unions	kg	0.76	0.93
Weight without unions	kg	0.62	0.69

\*Threading EN ISO 228-1:2003

## INSTALLATION



# DESIGNING, PRODUCING AND DISTRIBUTING SOLUTIONS FOR OVER 25 YEARS

B METERS is an Italian company that has been designing, producing and distributing instruments and solutions for measuring the consumption of water and thermal energy used for heating and cooling, for over 25 years.

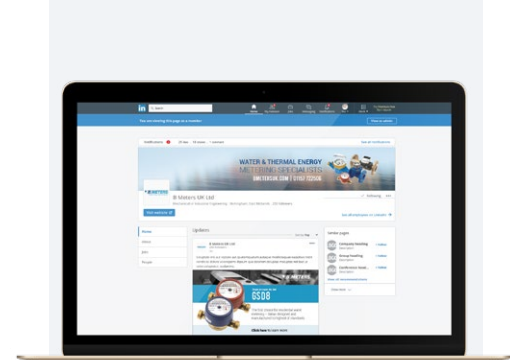
The yearly production currently exceeds 2M units, putting B METERS in a leading position both at national and European level.

The product range includes turbine (velocity) type single and multi-jet water meters with mechanical or magnetic transmission, Woltmann meters, irrigation meters, flow meters, thermal energy meters and heat cost allocators with direct reading, or complete with integrated modules for the remote transmission of the consumption data.



EN 1434

EN 834



**FOLLOW BMETERS ON LINKEDIN,  
KEEP UP-TO-DATE WITH ALL  
LATEST NEWS AND PRODUCT  
INFORMATION**

## THE BMETERS RANGE



**WATER METERS**



**THERMAL ENERGY METERS**



**READING SYSTEMS**



**M-BUS SOLUTIONS**