

# GSD8-1

Single jet, dry dial water meter, with a direct reading across 8 numeric dials

Single jet, super dry dial water meter, with a direct reading across 8 numeric rolls.

Produced in cold water (50°C) and hot water (90°C) versions in 15mm and 20mm diameters, this compact meter comes with a full-360° rotating dial for ease of reading.

Inductive pre-equipment for the installation of data communication modules M-BUS wired, wireless OMS and upon request LoRa & NB-IoT. (Modules available from summer 2020)



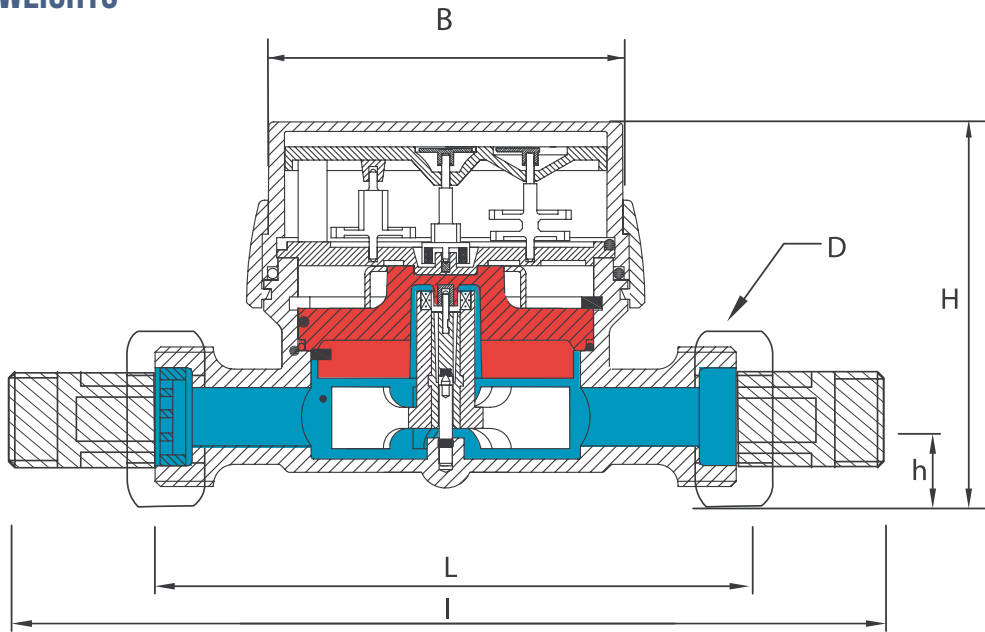
## TECHNICAL FEATURES

Size	DN	mm (in)	15 (1/2")	15 (1/2")	20 (3/4")
Overload flow rate	Q <sub>4</sub>	m <sup>3</sup> /h	2	3.12	5
Permanent flow rate	Q <sub>3</sub>	m <sup>3</sup> /h	1.6	2.5	4
Transitional flow rate	Q <sub>2</sub>	l/h	25.6	40	64
Min flow rate	Q <sub>1</sub>	l/h	16	25	40
Transitional flow rate	Q <sub>2</sub>	l/h	16	25	40
Min flow rate	Q <sub>1</sub>	l/h	10	15.63	25
Min reading		l		0.05	
Max reading		m <sup>3</sup>		99,999	
Max admissible pressure MAP		bar		16	

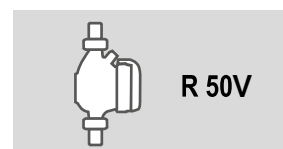
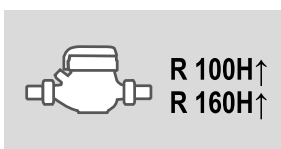
R=100H↑

R=160H↑

## DIMENSIONS & WEIGHTS



Size	mm (in)	15 (1/2")	20 (3/4")	25 (1")	32 (1 1/4")
L	mm	80	110	115	130
I	mm	160	190	195	228
H	mm	73	73	73	73
h	mm	18	18	18	18
B	mm	74	74	74	74
D*	in	3/4	3/4	7/8 - 3/4	1
Weight	with unions Kg	0.60	0.65	0.70	0.85
	without unions Kg	0.45	0.50	0.55	0.60



# DESIGNING, PRODUCING AND DISTRIBUTING SOLUTIONS FOR OVER 25 YEARS

B METERS is an Italian company that has been designing, producing and distributing instruments and solutions for measuring the consumption of water and thermal energy used for heating and cooling, for over 25 years.

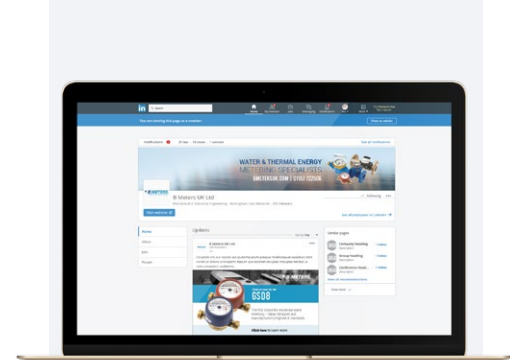
The yearly production currently exceeds 1,800,000 units, putting B METERS in a leading position both at national and European level.

The product range includes turbine (velocity) type single and multi-jet water meters with mechanical or magnetic transmission, Woltmann meters, irrigation meters, flow meters, thermal energy meters and heat cost allocators with direct reading, or complete with integrated modules for the remote transmission of the consumption data.



EN 1434

EN 834



**FOLLOW BMETERS ON LINKEDIN,  
KEEP UP-TO-DATE WITH ALL  
LATEST NEWS AND PRODUCT  
INFORMATION**

## THE BMETERS RANGE



**WATER METERS**



**THERMAL ENERGY METERS**



**READING SYSTEMS**



**M-BUS SOLUTIONS**