



# GSD8-RFM

Single jet, dry dial water meter, with a direct reading across 8 numeric dials

Single jet meter, dry dial, direct reading on 8 numerical rolls, with optical predisposition for the installation of M-Bus wired or M-Bus wireless OMS remote reading modules.

With anti-fraud ring and 360° rotating lid. Available in sizes DN15 1/2" and DN20 3/4" for both cold water from 0° to 50°C and hot water from 30° to 90°C.

The GSD8-RFM has a magnetic transmission and is approved according to MID 2004 /22/CE up to the range R160-H/R50-V, as well as ISO 4064 and OIML R49 compliant.



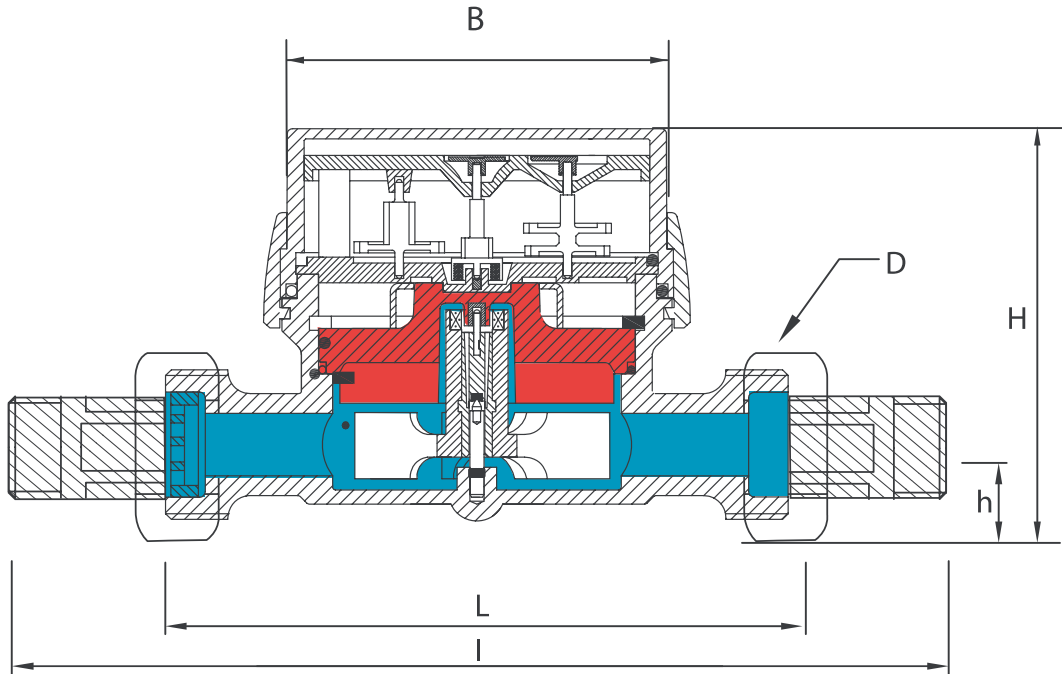
## TECHNICAL FEATURES

Size	DN	mm (in)	15 (1/2")	15 (1/2")	20 (3/4")
Overload flow rate	Q <sub>4</sub>	m <sup>3</sup> /h	2	3.12	5
Permanent flow rate	Q <sub>3</sub>	m <sup>3</sup> /h	1.6	2.5	4
Transitional flow rate	Q <sub>2</sub>	l/h	25.6	40	64
Min flow rate	Q <sub>1</sub>	l/h	16	25	40
Transitional flow rate	Q <sub>2</sub>	l/h	16	25	40
Min flow rate	Q <sub>1</sub>	l/h	10	15.63	25
Min reading		l		0.05	
Max reading		m <sup>3</sup>		99,999	
Max admissible pressure MAP		bar		16	

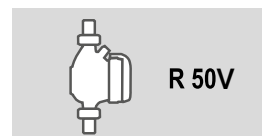
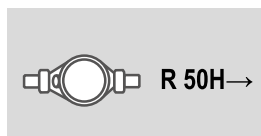
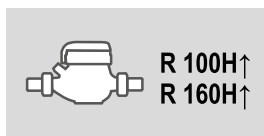
R=100H↑

R=160H↑

## DIMENSIONS & WEIGHTS



Size	mm (in)	15 (1/2")	20 (3/4")	25 (1")	32 (1 1/4")
L	mm	80	110	115	130
I	mm	160	190	195	228
H	mm	73	73	73	73
h	mm	18	18	18	18
B	mm	74	74	74	74
D*	in	3/4	3/4	7/8 - 3/4	1
Weight	with unions Kg	0.60	0.65	0.70	0.85
	without unions Kg	0.45	0.50	0.55	0.60



# DESIGNING, PRODUCING AND DISTRIBUTING SOLUTIONS FOR OVER 25 YEARS

B METERS is an Italian company that has been designing, producing and distributing instruments and solutions for measuring the consumption of water and thermal energy used for heating and cooling, for over 25 years.

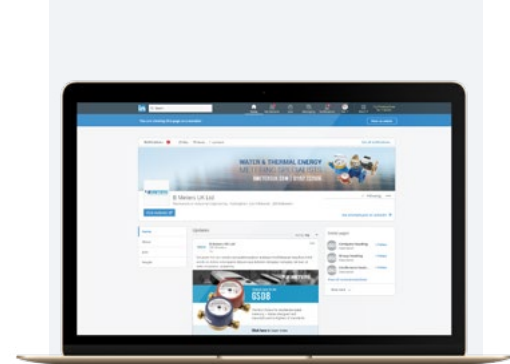
The yearly production currently exceeds 1,800,000 units, putting B METERS in a leading position both at national and European level.

The product range includes turbine (velocity) type single and multi-jet water meters with mechanical or magnetic transmission, Woltmann meters, irrigation meters, flow meters, thermal energy meters and heat cost allocators with direct reading, or complete with integrated modules for the remote transmission of the consumption data.



EN 1434

EN 834



**FOLLOW BMETERS ON LINKEDIN,  
KEEP UP-TO-DATE WITH ALL  
LATEST NEWS AND PRODUCT  
INFORMATION**

## THE BMETERS RANGE



**WATER METERS**



**THERMAL ENERGY METERS**



**READING SYSTEMS**



**M-BUS SOLUTIONS**